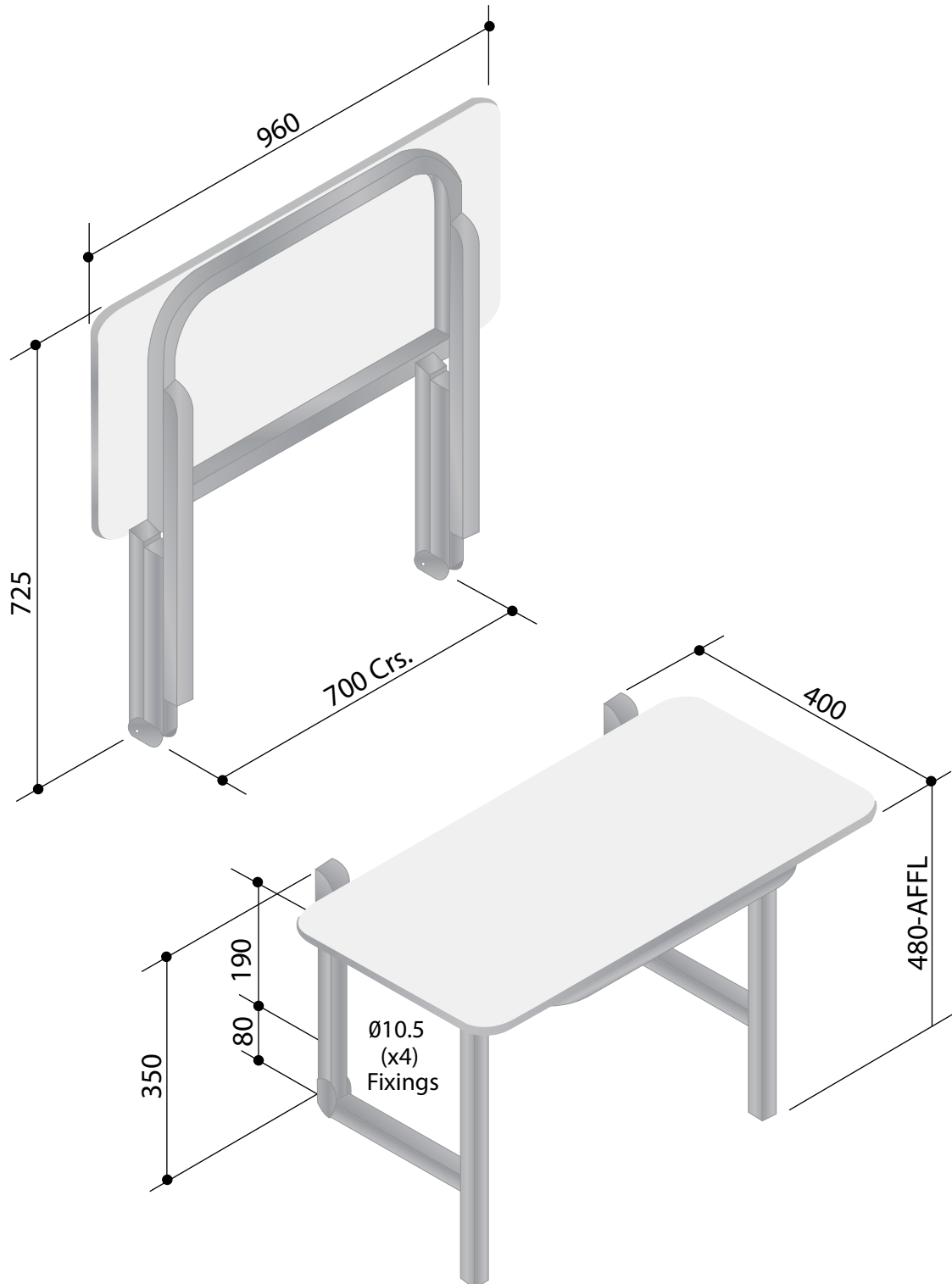


Australian Made to Australian Standards

The diagram below shows our standard product.
 To customise - simply alter the dimensions as required.

- Constructed of 304 Stainless Steel with Acrylic Seat



This shower seat is manufactured to comply with Australian Standard AS 1428.1-2001