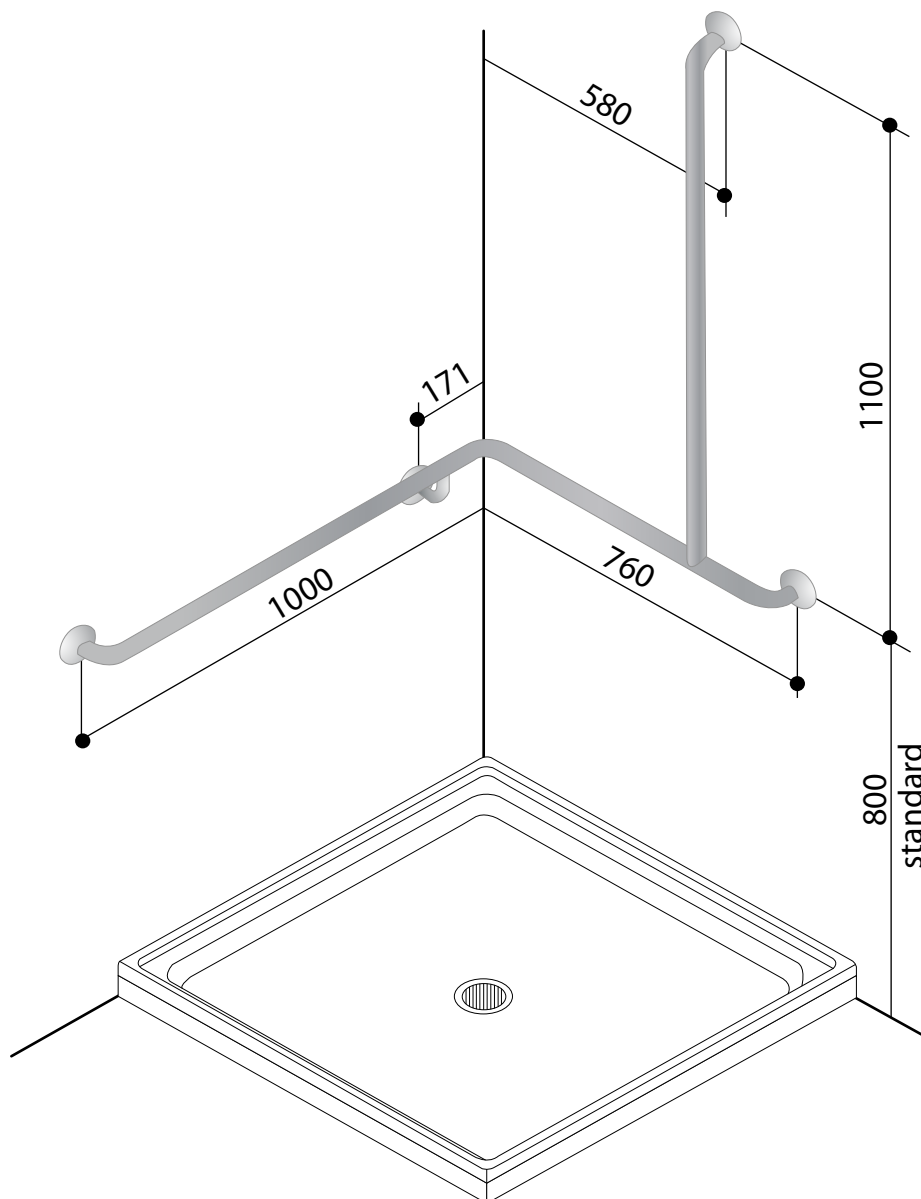


## Australian Made to Australian Standards

The diagram below shows our standard product.  
To customise - simply alter the dimensions as required.

Unless noted otherwise;

- Dimensions refer to tube centre-line or corner of wall to tube centre-line
- Inside clearance to walls is 55mm
- Constructed of 304 Stainless Steel



**NOTE: This diagram shows Right Hand model.**

To comply with Australian Standard AS 1428.1-2001, grab rails must be fastened;

- a minimum distance of 800mm from the floor.
- with 600mm of clear space above the rail.
- to withstand a force of 1100N at any point from any direction.