

TOILET/WC GRAB RAILS



Phone: (07) 3355 9400

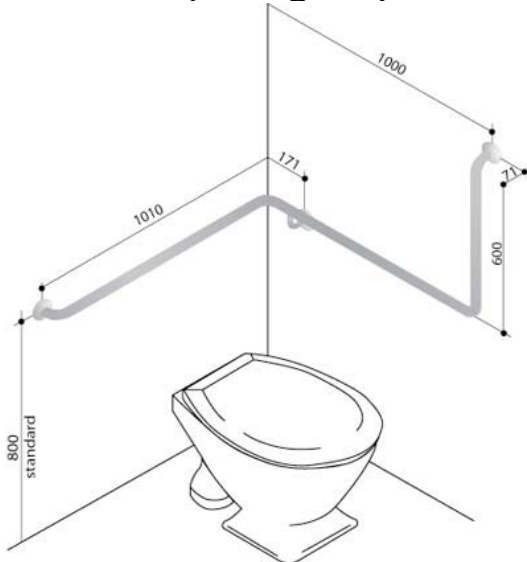
Fax: (07) 3355 9411

Website: www.airtowel.net.au

Our disabled grab rails are suitable for both dry and wet areas and are generally supplied with concealed fix wall plates.

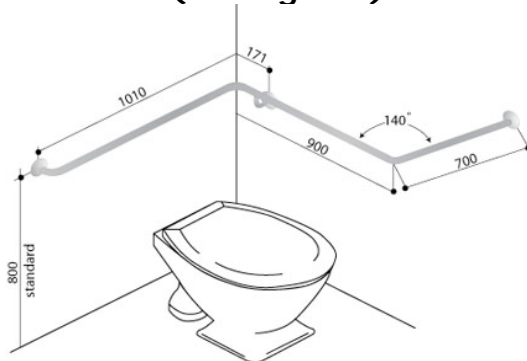
Straight grab rails may also be used in toilet areas.

GR-AT01 (90 degrees)



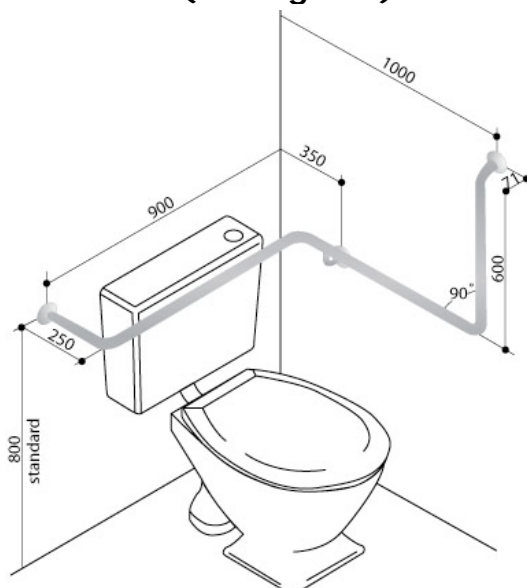
- Stainless steel
- Left or right hand
- "L" shaped horizontal
- End vertical at 90 degrees
- **Dimensions:** 1010mmW x 1000mmD x 600mmH

GR-AT01 (40 degrees)



- Stainless Steel
- Left or Right Hand
- "L" Shaped horizontal
- End Uplift at 140 degrees
- **Dimensions:** 1010mmW x 900mmD x 700mm @ 140°

GR-AT02 (90 degrees)



- Left or Right Hand
- For exposed cistern
- "L" shaped horizontal
- End vertical at 90 degrees

PLEASE NOTE:

Amendment January 2005 - Due to changes to Australian Standards AS1428 the AT02 disabled grab rails no longer meet the Australian Safety Standards.

This item is still available for purchase however no longer meets the Australian Safety Standards.

For more information, contact Airtowel on (07) 3355-9400.

TOILET/WC GRAB RAILS

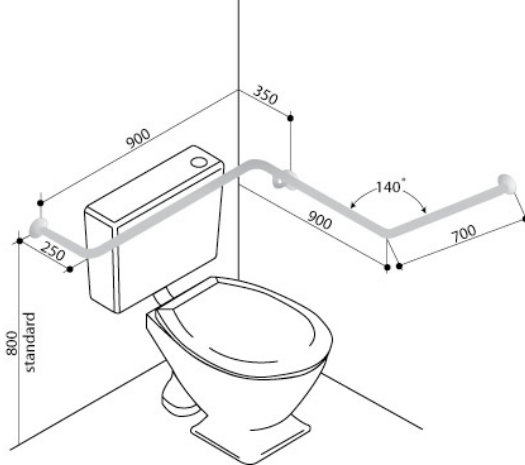


Phone: (07) 3355 9400

Fax: (07) 3355 9411

Website: www.airtowel.net.au

GR-AT02 (40 degrees)



- Left or Right Hand
- For exposed cistern
- "L" shaped horizontal
- End uplift at 140 degrees

PLEASE NOTE:

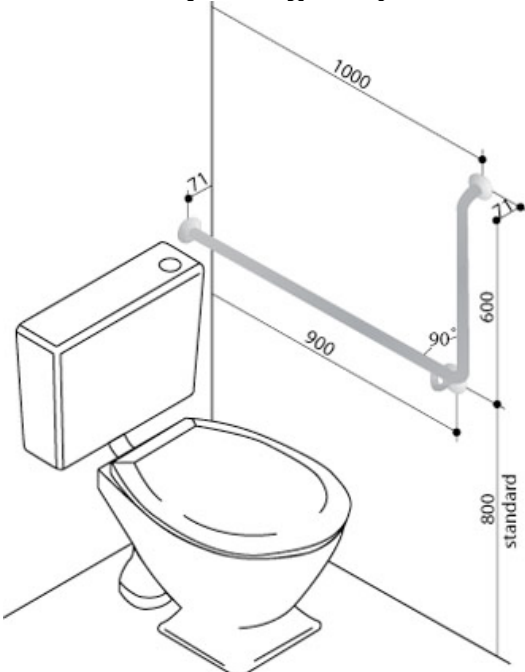
Amendment January 2005 - Due to changes to Australian Standards AS1428 the AT02 disabled grab rails no longer meet the Australian Safety Standards.

This item is still available for purchase however no longer meets the Australian Safety Standards.

For more information, contact Airtowel on 3355-9400.

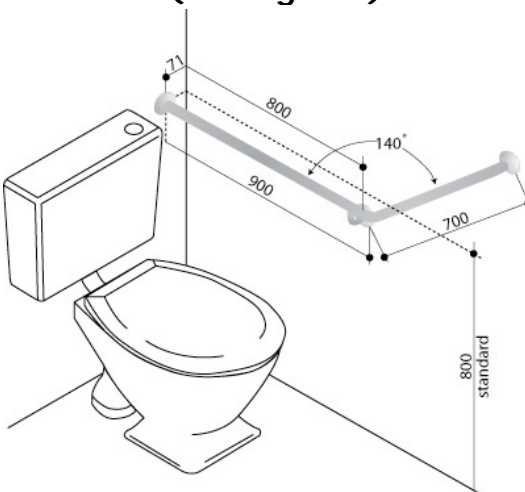
(07)

GR-AT04 (90 degrees)



- Stainless steel
- Left or right hand
- Vertical "L" shape
- One rear wall fix
- Two side wall fix at 90 degrees
- **Dimensions:** 1000mmW x 600mmH

GR-AT04 (40 degrees)



- Stainless steel
- Left or right hand
- Vertical "L" shape
- One end wall fix
- Two side wall fix
- End uplift at 140 degrees
- **Dimensions:** 900mm W x 700mm @ 140°

TOILET/WC GRAB RAILS

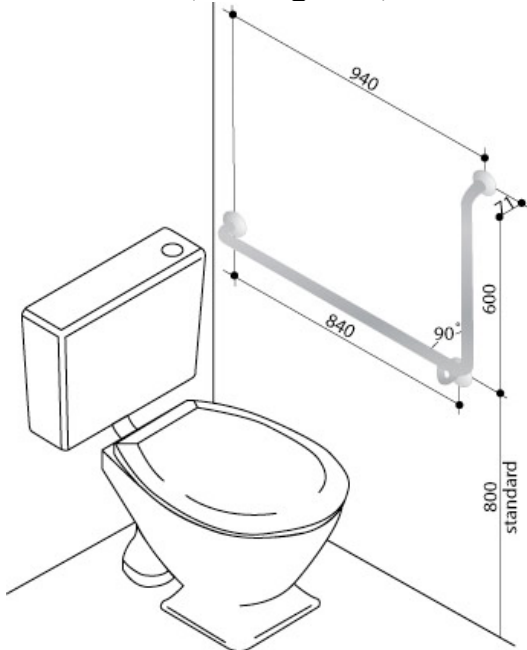


Phone: (07) 3355 9400

Fax: (07) 3355 9411

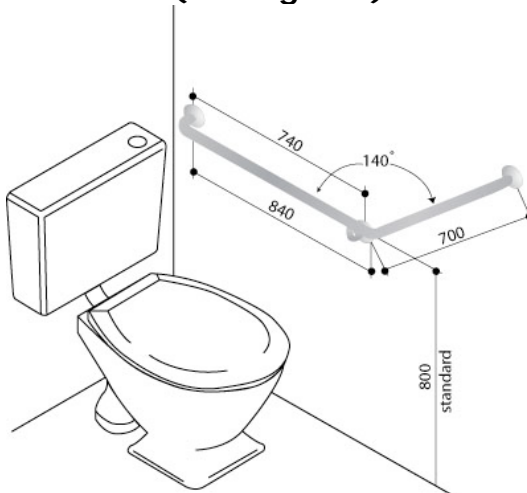
Website: www.airtowel.net.au

GR-AT05 (90 degrees)



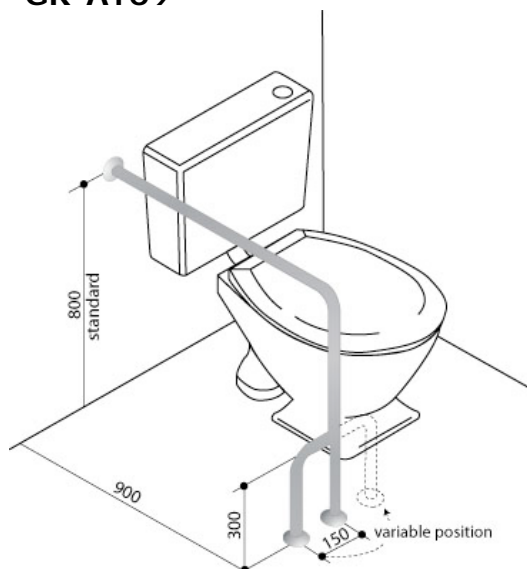
- Stainless Steel
- Left or Right Hand
- Vertical "L" Shape
- Three Side Wall Fix at 90 degrees
- **Dimensions:** 940mmW x 600mmH

GR-AT06 (40 degrees)



- Stainless Steel
- Left or Right Hand
- Vertical "L" Shape
- Three Side Wall Fix
- End Uplift at 140 degrees
- **Dimensions:** 840mmW x 700mm @ 140°

GR-AT09



- Stainless Steel
- Left or Right Hand
- Floor to Rear Wall Fix
- Side Toilet Support with Leg
- **Dimensions:** 900mmD x 800mmH x 300mmW offset leg

TOILET/WC GRAB RAILS

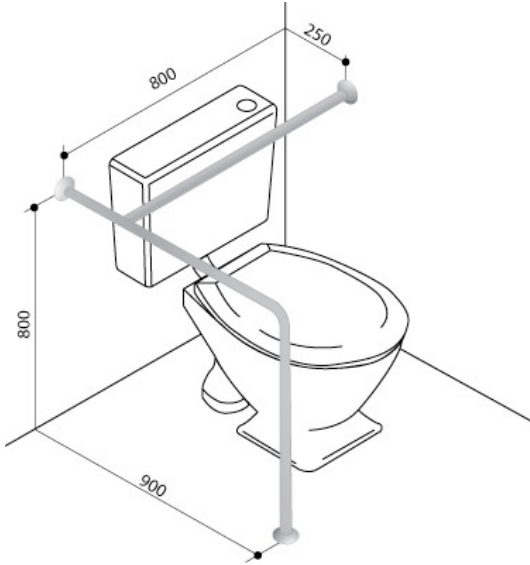


Phone: (07) 3355 9400

Fax: (07) 3355 9411

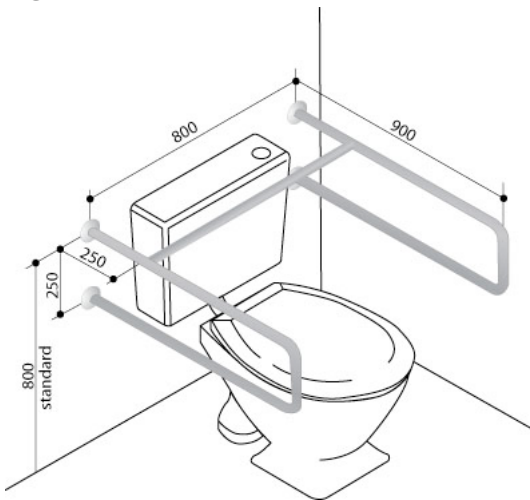
Website: www.airtowel.net.au

GR-AT10



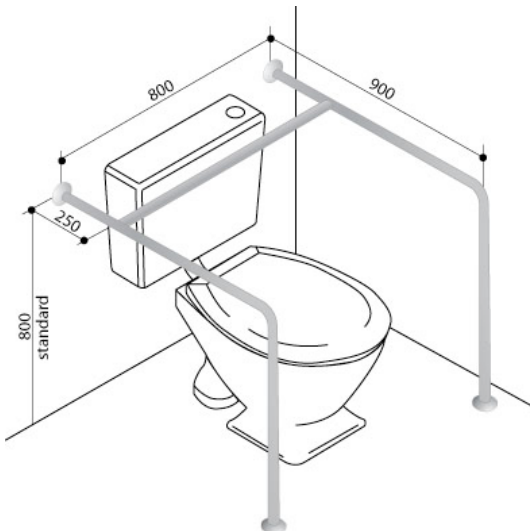
- Stainless Steel
- Left or Right Hand
- Floor to Rear Wall Fix
- Cross Bar to Side Wall for Exposed Cistern
- **Dimensions:** 800mmW x 900mmD x 800mmH

GR-AT11



- Stainless steel
- Left or right hand
- Four rear wall fix
- Cross bar for exposed cistern
- **Dimensions:** 900mmD x 800mmW x 250mmH

GR-AT15



- Stainless steel
- Twin floor to rear wall
- Cross bar for exposed cistern
- **Dimensions:** 800mmH x 900mmD x 800mmW

CLAM FLANGE - AMBULENT & TOILET GRAB RAILS

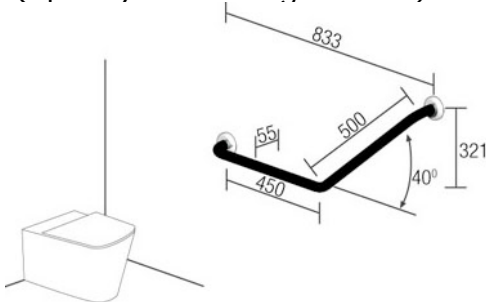
Clam Flange healthcare 32mm grab rails. Fabricated from 304L stainless steel with 78mm pre-formed domed Clam concealed flange. Manufactured to comply with clause 6.2 of AS 1428.1-2001 for Design & Construction.

Mount horizontal section of rail 800mm to 810mm above floor level.

Optional Extra: GR-ATR 031 Toilet Roll Holder

GR-ACF 545

(Specify Left or Right Hand)

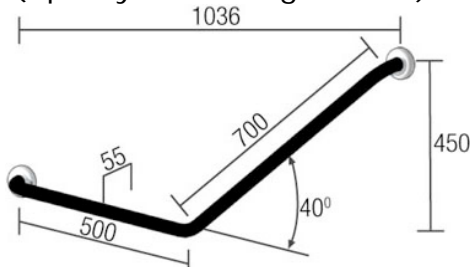


- Clam Flange
- Left or right hand
- No fixing screws supplied
- **Dimensions:** 450mm x 500mm
- For domestic use only
- Complies with dimensional requirements of AS 1428.1-2001 for water closets

| | |
|----------------------|----------------------|
| GR-ACF 545 SS | Satin Supreme TM |
| GR-ACF 545 PS | Polish Supreme TM |
| GR-ACF 545 KG | Diamond Shur-Grip TM |
| GR-ACF 545 FC | Full Colour |

GR-ACF 057

(Specify Left or Right Hand)

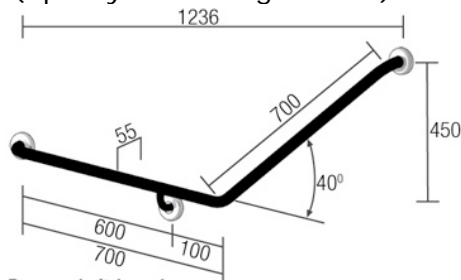


- Clam Flange
- Left or right hand
- No fixing screws supplied
- **Dimensions:** 500mm x 700mm

| | |
|----------------------|----------------------|
| GR-ACF 057 SS | Satin Supreme TM |
| GR-ACF 057 PS | Polish Supreme TM |
| GR-ACF 057 KG | Diamond Shur-Grip TM |
| GR-ACF 057 FC | Full Colour |

GR-ACF 077

(Specify Left or Right Hand)

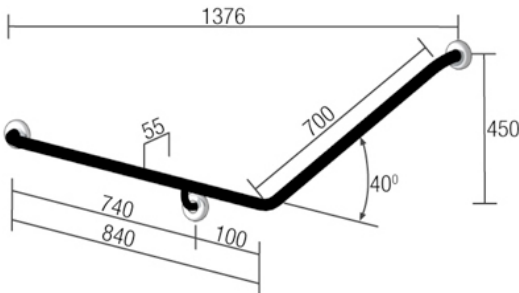


- Clam Flange
- Left or right hand
- No fixing screws supplied
- **Dimensions:** 700mm x 700mm

Drawn left hand

| | |
|----------------------|----------------------|
| GR-ACF 077 SS | Satin Supreme TM |
| GR-ACF 077 PS | Polish Supreme TM |
| GR-ACF 077 KG | Diamond Shur-Grip TM |
| GR-ACF 077 FC | Full Colour |

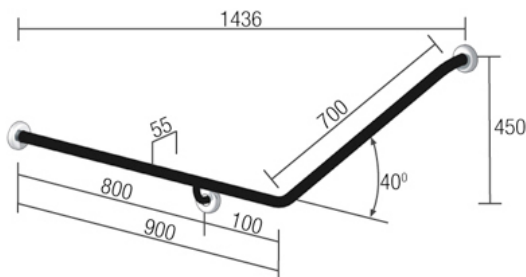
GR-ACF 847
 (Specify Left or Right Hand)



- Clam Flange
- Left or right hand
- No fixing screws supplied
- **Dimensions:** 840mm x 700mm
- Complies with dimensional requirements of AS 1428.1-2001 for water closets.

| | |
|-----------------------|----------------------|
| GR-ACF 847 SS | Satin Supreme TM |
| GR- ACF 847 PS | Polish Supreme TM |
| GR- ACF 847 KG | Diamond Shur-Grip TM |
| GR- ACF 847 FC | Full Colour |

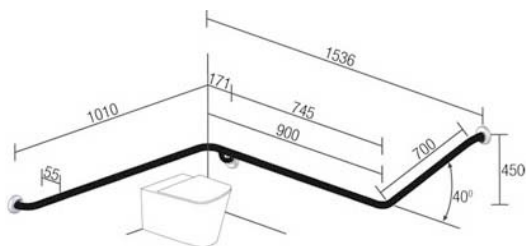
GR-ACF 907
 (Specify Left or Right Hand)



- Clam Flange
- Left or right hand
- 304 Stainless steel fixing screws supplied
- **Dimensions:** 900mm x 700mm
- Complies with dimensional requirements of AS 1428.1-2001 for water closets.

| | |
|-----------------------|----------------------|
| GR-ACF 907 SS | Satin Supreme TM |
| GR- ACF 907 PS | Polish Supreme TM |
| GR- ACF 907 KG | Diamond Shur-Grip TM |
| GR- ACF 907 FC | Full Colour |

GR-ACF 197
 (Specify Left or Right Hand)

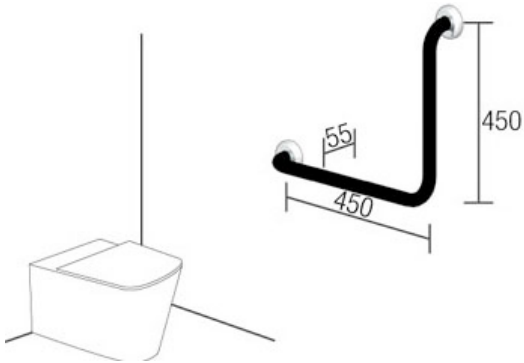


- Clam Flange
- Left or right hand
- No fixing screws supplied
- **Dimensions:** 1010mm x 900mm x 700mm centre to wall
- Complies with dimensional requirements of AS 1428.1-2001 for water closets.

| | |
|----------------------|----------------------|
| GR-ACF 197 SS | Satin Supreme TM |
| GR-ACF 197 PS | Polish Supreme TM |
| GR-ACF 197 KG | Diamond Shur-Grip TM |
| GR-ACF 197 FC | Full Colour |

GR-ACF 454

(Specify Left or Right Hand)

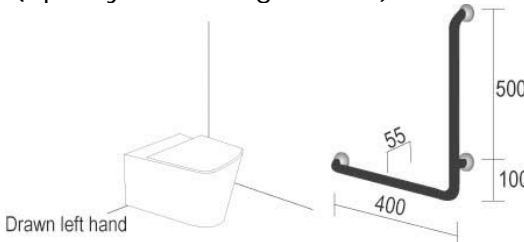


- Clam Flange
- Left or right hand
- No fixing screws supplied
- **Dimensions:** 450mm x 450mm
- Complies with dimensional requirements of AS 1428.1-2001 for water closets.

| | |
|----------------------|----------------------|
| GR-ACF 454 SS | Satin Supreme TM |
| GR-ACF 454 PS | Polish Supreme TM |
| GR-ACF 454 KG | Diamond Shur-Grip TM |
| GR-ACF 454 FC | Full Colour |

GR-ACF 046

(Specify Left or Right Hand)

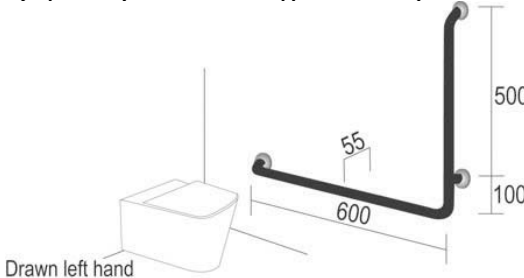


- Clam Flange
- Left or right hand
- No fixing screws supplied
- **Dimensions:** 400mm x 600mm

| | |
|-----------------------|----------------------|
| GR-ACF 046 SS | Satin Supreme TM |
| GR- ACF 046 PS | Polish Supreme TM |
| GR- ACF 046 KG | Diamond Shur-Grip TM |
| GR- ACF 046 FC | Full Colour |

GR-AHS 606

(Specify Left or Right Hand)

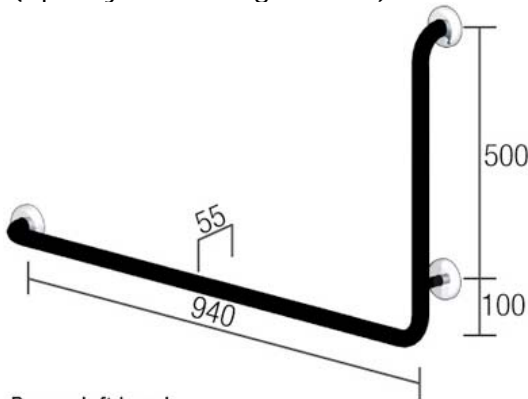


- Clam Flange
- Left or right hand
- No fixing screws supplied
- **Dimensions:** 600mm x 600mm

| | |
|-----------------------|----------------------|
| GR- ACF 606 SS | Satin Supreme TM |
| GR- ACF 606 PS | Polish Supreme TM |
| GR- ACF 606 KG | Diamond Shur-Grip TM |
| GR- ACF 606 FC | Full Colour |

GR-ACF 946

(Specify Left or Right Hand)



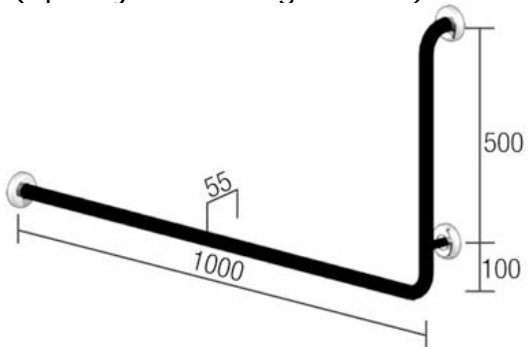
Drawn left hand

- Clam Flange
- Left or right hand
- No fixing screws supplied
- **Dimensions:** 940mm x 600mm
- Complies with dimensional requirements of AS 1428.1-2001 for water closets.

| | |
|-----------------------|----------------------|
| GR- ACF 946 SS | Satin Supreme TM |
| GR- ACF 946 PS | Polish Supreme TM |
| GR- ACF 946 KG | Diamond Shur-Grip TM |
| GR- ACF 946 FC | Full Colour |

GR-ACF 106

(Specify Left or Right Hand)

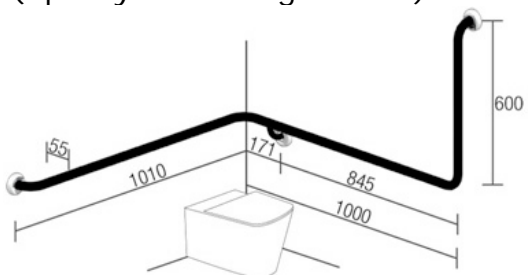


- Clam Flange
- Left or right hand
- No fixing screws supplied
- **Dimensions:** 1000mm x 600mm
- Complies with dimensional requirements of AS 1428.1-2001 for water closets.

| | |
|-----------------------|----------------------|
| GR-ACF 106 SS | Satin Supreme TM |
| GR- ACF 106 PS | Polish Supreme TM |
| GR- ACF 106 KG | Diamond Shur-Grip TM |
| GR- ACF 106 FC | Full Colour |

GR-ACF 116

(Specify Left or Right Hand)



- Clam Flange
- Left or right hand
- No fixing screws supplied
- **Dimensions:** 1010mm x 1000mm x 600mm centre to wall corner
- Complies with dimensional requirements of AS 1428.1-2001 for water closets.

| | |
|-----------------------|----------------------|
| GR-ACF 116 SS | Satin Supreme TM |
| GR- ACF 116 PS | Polish Supreme TM |
| GR- ACF 116 KG | Diamond Shur-Grip TM |
| GR- ACF 116 FC | Full Colour |

HYGIENIC SEAL® - AMBULENT & TOILET GRAB RAILS

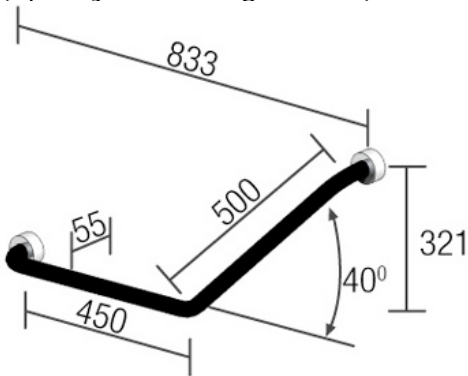
Hygienic Seal® healthcare 32mm grab rails. Fabricated from 304L stainless steel and assembled with 50mm brass screw on flange covers with Thermoplastic Elastomer (TPE) fitted seals. The seals firm to the rail wall and prevent the accumulation of unhealthy grime. The Hygienic Seal® grab rail complies with the clause 6.2 of AS 1428.1-2001 for Design and Construction.

Mount horizontal section of rail 800mm to 810mm above floor level.

Optional Extra: GR-ATR 031 Toilet Roll Holder

GR-AHS 545

(Specify Left or Right Hand)



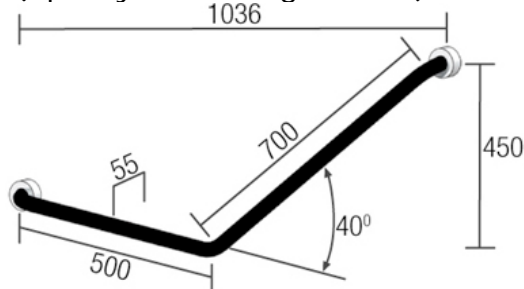
Drawn left hand

- Hygienic Seal®
- Left or right hand
- 304 Stainless steel fixing screws supplied
- **Dimensions:** 450mm x 500mm
- Complies with dimensional requirements of AS 1428.1-2001 for water closets.

| | |
|----------------------|-----------------------------|
| GR-AHS 545 SS | Satin Supreme TM |
| GR-AHS 545 PS | Polish Supreme TM |
| GR-AHS 545 KG | Diamond Shur-Grip TM |
| GR-AHS 545 AC | Colour/Chrome Flange Covers |
| GR-AHS 545 FC | Full Colour |
| GR-AHS 545 AG | Colour/Gold Dress Rings |
| GR-AHS 545 CG | Chrome/Gold Dress Ring |

GR-AHS 057

(Specify Left or Right Hand)



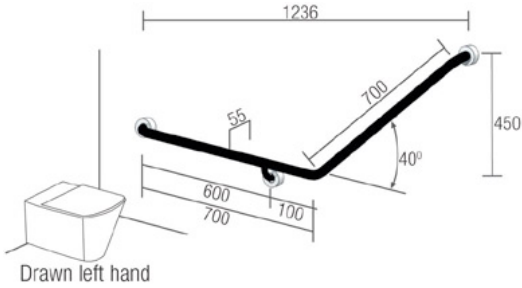
Drawn left hand

- Hygienic Seal®
- Left or right hand
- 304 Stainless steel fixing screws supplied
- **Dimensions:** 500mm x 700mm
- For domestic situations only

| | |
|----------------------|-----------------------------|
| GR-AHS 057 SS | Satin Supreme TM |
| GR-AHS 057 PS | Polish Supreme TM |
| GR-AHS 057 KG | Diamond Shur-Grip TM |
| GR-AHS 057 AC | Colour/Chrome Flange Covers |
| GR-AHS 057 FC | Full Colour |
| GR-AHS 057 AG | Colour/Gold Dress Rings |
| GR-AHS 057 CG | Chrome/Gold Dress Rings |

GR-AHS 077

(Specify Left or Right Hand)

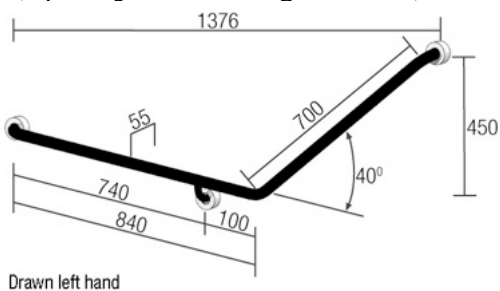


- Hygienic Seal®
- Left or right hand
- 304 Stainless steel
- 304 Stainless steel fixing screws supplied
- **Dimensions:** 700mm x 700mm

| | |
|----------------------|-----------------------------|
| GR-AHS 077 SS | Satin Supreme TM |
| GR-AHS 077 PS | Polish Supreme TM |
| GR-AHS 077 KG | Diamond Shur-Grip TM |
| GR-AHS 077 AC | Colour/Chrome Flange Covers |
| GR-AHS 077 FC | Full Colour |
| GR-AHS 077 AG | Colour/Gold Dress Rings |
| GR-AHS 077 CG | Chrome/Gold Dress Rings |

GR-AHS 847

(Specify Left or Right Hand)

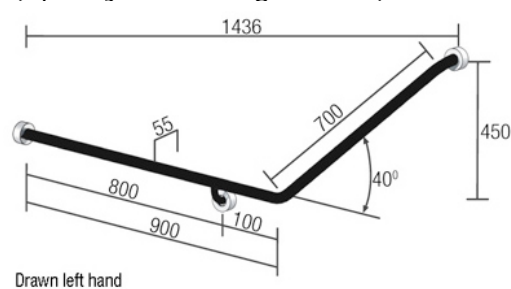


- Hygienic Seal®
- Left or right hand
- 304 Stainless steel
- 304 Stainless steel fixing screws supplied
- **Dimensions:** 840mm x 700mm
- Complies with dimensional requirements of AS 1428.1-2001 for water closets.

| | |
|----------------------|-----------------------------|
| GR-AHS 847 SS | Satin Supreme TM |
| GR-AHS 847 PS | Polish Supreme TM |
| GR-AHS 847 KG | Diamond Shur-Grip TM |
| GR-AHS 847 AC | Colour/Chrome Flange Covers |
| GR-AHS 847 FC | Full Colour |
| GR-AHS 847 AG | Colour/Gold Dress Rings |
| GR-AHS 847 CG | Chrome/Gold Dress Rings |

GR-AHS 907

(Specify Left or Right Hand)

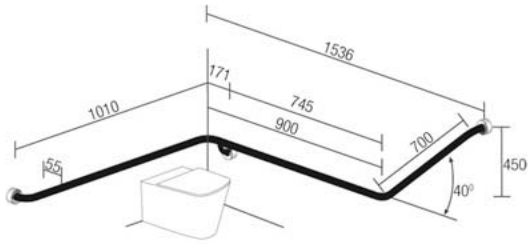


- Hygienic Seal®
- Left or right hand
- 304 Stainless steel
- 304 Stainless steel fixing screws supplied
- **Dimensions:** 900mm x 700mm
- Complies with dimensional requirements of AS 1428.1-2001 for water closets.

| | |
|----------------------|-----------------------------|
| GR-AHS 907 SS | Satin Supreme TM |
| GR-AHS 907 PS | Polish Supreme TM |
| GR-AHS 907 KG | Diamond Shur-Grip TM |
| GR-AHS 907 AC | Colour/Chrome Flange Covers |
| GR-AHS 907 FC | Full Colour |
| GR-AHS 907 AG | Colour/Gold Dress Rings |
| GR-AHS 907 CG | Chrome/Gold Dress Rings |

GR-AHS 197

(Specify Left or Right Hand)



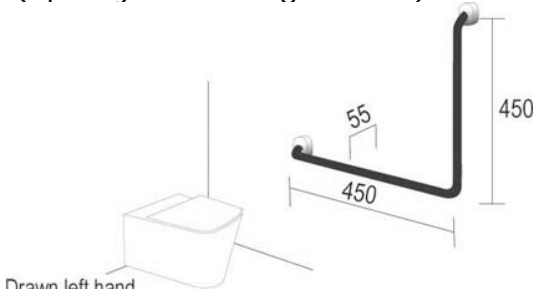
- Hygienic Seal®
- Left or right hand
- 304 Stainless steel
- 304 Stainless steel fixing screws supplied
- **Dimensions:** 1010mm x 900mm x 700mm centre to wall corner
- Complies with dimensional requirements of AS 1428.1-2001 for water closets.

Drawn left hand

| | |
|----------------------|-----------------------------|
| GR-AHS 197 SS | Satin Supreme TM |
| GR-AHS 197 PS | Polish Supreme TM |
| GR-AHS 197 KG | Diamond Shur-Grip TM |
| GR-AHS 197 AC | Colour/Chrome Flange Covers |
| GR-AHS 197 FC | Full Colour |
| GR-AHS 197 AG | Colour/Gold Dress Rings |
| GR-AHS 197 CG | Chrome/Gold Dress Rings |

GR-AHS 454

(Specify Left or Right Hand)



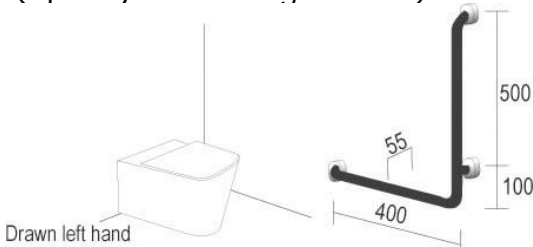
- Hygienic Seal®
- Left or right hand
- 304 Stainless steel
- 304 Stainless steel fixing screws supplied
- **Dimensions:** 450mm x 450mm
- Complies with dimensional requirements of AS 1428.1-2001 for water closets.

Drawn left hand

| | |
|----------------------|-----------------------------|
| GR-AHS 454 SS | Satin Supreme TM |
| GR-AHS 454 PS | Polish Supreme TM |
| GR-AHS 454 KG | Diamond Shur-Grip TM |
| GR-AHS 454 AC | Colour/Chrome Flange Covers |
| GR-AHS 454 FC | Full Colour |
| GR-AHS 454 AG | Colour/Gold Dress Rings |
| GR-AHS 454 CG | Chrome/Gold Dress Rings |

GR-AHS 046

(Specify Left or Right Hand)



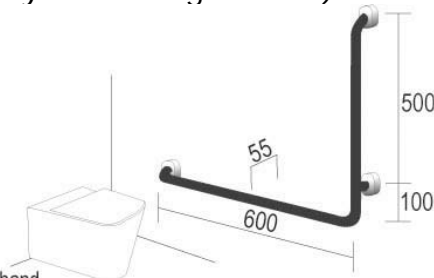
- Hygienic Seal®
- Left or right hand
- 304 Stainless steel
- 304 Stainless steel fixing screws supplied
- **Dimensions:** 400mm x 600mm

Drawn left hand

| | |
|----------------------|-----------------------------|
| GR-AHS 046 SS | Satin Supreme TM |
| GR-AHS 046 PS | Polish Supreme TM |
| GR-AHS 046 KG | Diamond Shur-Grip TM |
| GR-AHS 046 AC | Colour/Chrome Flange Covers |
| GR-AHS 046 FC | Full Colour |
| GR-AHS 046 AG | Colour/Gold Dress Rings |
| GR-AHS 046 CG | Chrome/Gold Dress Rings |

GR-AHS 606

(Specify Left or Right Hand)



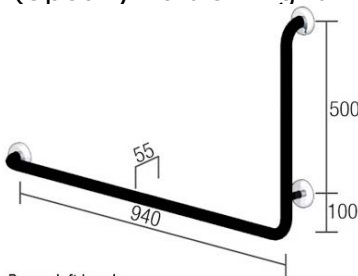
Drawn left hand

- Hygienic Seal®
- Left or right hand
- 304 Stainless steel
- 304 Stainless steel fixing screws supplied
- **Dimensions:** 600mm x 600mm

| | |
|----------------------|-----------------------------|
| GR-AHS 606 SS | Satin Supreme TM |
| GR-AHS 606 PS | Polish Supreme TM |
| GR-AHS 606 KG | Diamond Shur-Grip TM |
| GR-AHS 606 AC | Colour/Chrome Flange Covers |
| GR-AHS 606 FC | Full Colour |
| GR-AHS 606 AG | Colour/Gold Dress Rings |
| GR-AHS 606 CG | Chrome/Gold Dress Rings |

GR-AHS 946

(Specify Left or Right Hand)



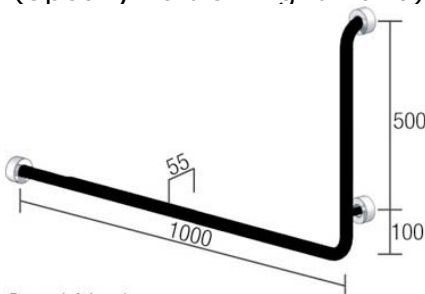
Drawn left hand

- Hygienic Seal®
- Left or right hand
- 304 Stainless steel
- 304 Stainless steel fixing screws supplied
- **Dimensions:** 940mm x 600mm
- Complies with dimensional requirements of AS 1428.1-2001 for water closets.

| | |
|----------------------|-----------------------------|
| GR-AHS 946 SS | Satin Supreme TM |
| GR-AHS 946 PS | Polish Supreme TM |
| GR-AHS 946 KG | Diamond Shur-Grip TM |
| GR-AHS 946 AC | Colour/Chrome Flange Covers |
| GR-AHS 946 FC | Full Colour |
| GR-AHS 946 AG | Colour/Gold Dress Rings |
| GR-AHS 946 CG | Chrome/Gold Dress Rings |

GR-AHS 106

(Specify Left or Right Hand)



Drawn left hand

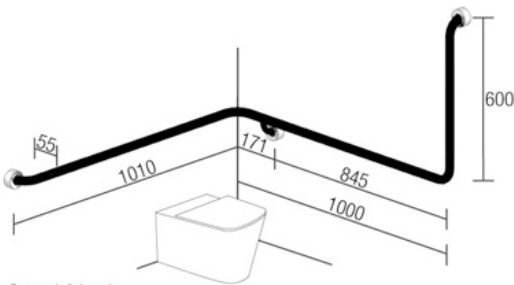
- Hygienic Seal®
- Left or right hand
- 304 Stainless steel
- 304 Stainless steel fixing screws supplied
- **Dimensions:** 1000mm x 600mm
- Note: Horizontal flange connects directly to rear wall.
- Complies with dimensional requirements of AS 1428.1-2001 for water closets.

| | |
|----------------------|-----------------------------|
| GR-AHS 106 SS | Satin Supreme TM |
| GR-AHS 106 PS | Polish Supreme TM |
| GR-AHS 106 KG | Diamond Shur-Grip TM |
| GR-AHS 106 AC | Colour/Chrome Flange Covers |
| GR-AHS 106 FC | Full Colour |
| GR-AHS 106 AG | Colour/Gold Dress Rings |
| GR-AHS 106 CG | Chrome/Gold Dress Rings |



GR-AHS 116

(Specify Left or Right Hand)



Drawn left hand

- Hygienic Seal®
- Left or right hand
- 304 Stainless steel
- 304 Stainless steel fixing screws supplied
- **Dimensions:** 1010mm x 1000mm x 600mm centre to wall corner
- Complies with dimensional requirements of AS 1428.1-2001 for water closets.

| | |
|----------------------|-----------------------------|
| GR-AHS 116 SS | Satin Supreme TM |
| GR-AHS 116 PS | Polish Supreme TM |
| GR-AHS 116 KG | Diamond Shur-Grip TM |
| GR-AHS 116 AC | Colour/Chrome Flange Covers |
| GR-AHS 116 FC | Full Colour |
| GR-AHS 116 AG | Colour/Gold Dress Rings |
| GR-AHS 116 CG | Chrome/Gold Dress Rings |