

FOLDING TOILET GRAB RAILS



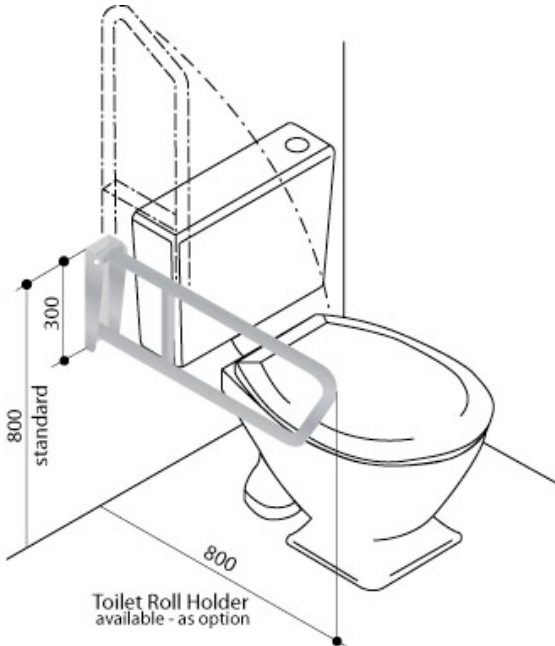
Phone: (07) 3355 9400

Fax: (07) 3355 9411

Website: www.airtowel.net.au

GR-AT20

- Stainless Steel
- Left or Right Hand
- Drop Down Grab Rail Rear Wall Fix
- Dimensions: 800mmH x 300mmD



GR-AT20TRH

- Same as GR-AT20 but with toilet roll holder

Con-Serv Tiltlock® Folding Rail-Ways

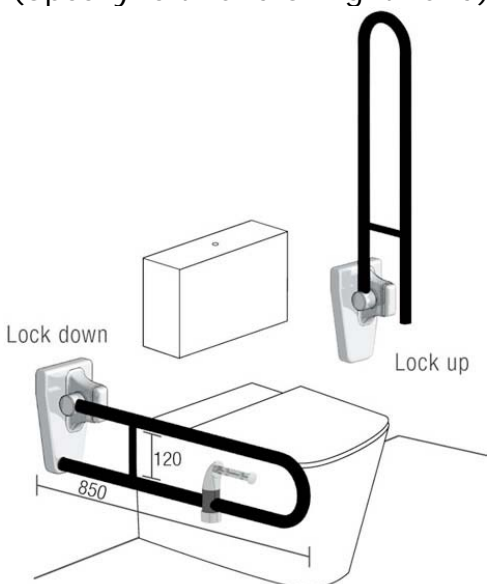
Safe Assist® folding grab rails for toilets and showers for use by persons who suffer from sickness or disablement.

The Tiltlock® automatically locks when in the horizontal position and locks vertically out of the way when not required or can be used as a support grab rail for standing patients. Fabricated with a chromed brass button release base housing, a solid brass concealed 4 fix wall "T" mount bracket and 304L stainless steel tube. The Tiltlock® folding grab rail complies with clause 6.2 of AS 1428.1-2001 for Design and Construction. Tested by ANTL, test report 2945.11.

GR-ATL 850

(Specify left hand or right hand)

- Left hand or right hand
- Dual bar folding grab rail
- 304 stainless steel
- Safety lock hinge mechanism
- No exposed nuts or bolts
- 304 screws and wall plugs supplied
- Tiltlock® quick release automatically locks when in horizontal position and locks vertically out of the way when not required
- **Dimensions:** 850mm x 185mm x 32mm
- **Wall Mounting:** Grab rail should be mounted so that top of rail is 800mm - 810mm above the floor



GR-ATL 850 SS	Satin Supreme™
GR-ATL 850 PS	Polish Supreme™
GR-ATL 850 KG	Diamond Shur-Grip™
GR-ATL 850 WT	White